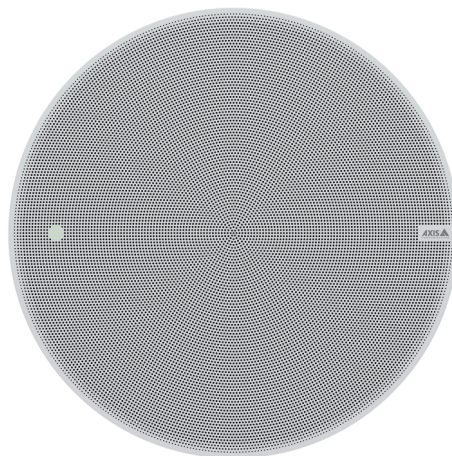


AXIS C1210-E Network Ceiling Speaker

Discrete in-ceiling installation—large

AXIS C1210-E is an all-in-one speaker system that makes voice announcements and background music smart and easy. It connects to standard network using one cable for both power (PoE) and connectivity. AXIS C1210-E offers flexible, discrete recessed ceiling installation, ideal for indoor environments but can also be used for protected outdoor areas like under the eaves. Additionally, it features a backbox that meets plenum requirements. It offers easy integration with your video management software (VMS), VoIP telephony, analytics, and more. Including a preconfigured digital signal processor (DSP) it produces clear voice every time. It also features a built-in microphone enabling remote health testing and 2-way audio talk-back. Furthermore, the embedded audio management software supports user, content, zone, and scheduling management.

- > [All-in-one speaker system](#)
- > [Connects to standard network](#)
- > [Easy installation with just one network cable \(PoE\)](#)
- > [Scalable and easy to integrate](#)
- > [Remote health testing](#)



AXIS C1210-E Network Ceiling Speaker

Audio hardware

Enclosure	6.5 inch coaxial dynamic cone speaker in sealed enclosure
Max sound pressure level	96 dB
Frequency response	40 Hz - 20 kHz
Coverage pattern	130° coaxial
Audio input/output	Built-in microphone (can be disabled) External microphone, line in
Built-in microphone specification	50 Hz - 20 kHz
Amplifier description	Built-in 7 W Class D amplifier
Digital signal processing	Built-in and pre-configured

Audio management

AXIS Audio Manager Edge	Built in: <ul style="list-style-type: none"> - Zone management allowing you to divide up to 200 speakers into 20 zones. - Content management for music and live/pre-recorded announcements. - Scheduling to decide when and where to play content. - Content prioritization to ensure urgent messages interrupt the schedule. - Health monitoring for remote discovery of system errors. - User management to control who has access to what features. For more details, see the datasheet on axis.com/products/axis-audio-manager-edge/support
AXIS Audio Manager Pro	For larger and more advanced systems. Sold separately. For specifications, see the datasheet on axis.com/products/axis-audio-manager-pro/support
AXIS Audio Manager Center	AXIS Audio Manager Center is a cloud service for remote access and management of multi-site systems. For specifications, see the datasheet on axis.com/products/axis-audio-manager-center/support

Audio software

Audio streaming	One-way/two-way with optional full duplex echo cancellation. Mono.
Audio encoding	AAC LC 8/16/32/48 kHz, G.711 PCM 8 kHz, G.726 ADPCM 8 kHz, Axis μ -law 16 kHz, WAV, MP3 in mono/stereo from 64 kbps to 320 kbps. Constant and variable bit rate. Sampling rate from 8 kHz up to 48 kHz.

System integration

Application Programming Interface	Open API for software integration, including VAPIX®, One-click cloud connection, AXIS Camera Application Platform (ACAP).
Video management systems	Compatible with AXIS Companion, AXIS Camera Station, video management software from Axis' Application Development Partners available at axis.com/vms
Mass notification	Singlewire InformaCast®, Intrado Revolution, Lynx, Alertus
Unified communication	Verified compatibility: SIP clients: 2N, Yealink, Cisco, Linphone, Grandstream PBX/SIP servers: Cisco Call Manager, Cisco BroadWorks, Avaya, Asterix, Grandstream Cloud service providers: Webex, Zoom
SIP	Supported SIP features: Secondary SIP server, IPv6, SRTP, SIPS, SIP TLS, DTMF (RFC2976 and RFC2833), NAT (ICE, STUN, TURN) RFC 3261: INVITE, CANCEL, BYE, REGISTER, OPTIONS, INFO DTMF (RFC 4733/RFC 2833)
Event conditions	Audio: audio clip playing, speaker test result Call: state, state change Device status: IP address blocked/removed, new IP address, network lost, system ready, live stream active Edge storage: recording ongoing, storage disruption, storage health issues detected I/O: digital input, manual trigger, virtual input MQTT: stateless

Scheduled and recurring: schedule

Event actions	Audio: run automatic speaker test Audio clips: play, stop, I/O: toggle I/O once, toggle I/O while the rule is active LEDs: flash status LED, flash status LED while the rule is active Light and siren: run light profile, run light profile while the rule is active, stop activities MQTT: publish Notification: HTTP, HTTPS, TCP and email Recordings: record audio, record audio while the rule is active Security: erase configuration SNMP traps: send, send while the rule is active
Built-in installation aids	Test tone verification and identification
Functional monitoring	Auto Speaker Test (verification via built-in microphone)

Approvals

EMC	EN 55024, EN 55035, EN 55032 Class A, EN 61000-6-1, EN 61000-6-2, EN 61000-6-3, EN 61000-6-4 Australia/New Zealand: CISPR 24, CISPR 35, CISPR 32 Class A, RCM AS/NZS CISPR 32 Class A Canada: ICES-3(A)/NMB-3(A) Japan: VCCI Class A Korea: KC KN35, KC KN32 Class A USA: FCC Part 15 Subpart B Class A
Safety	CAN/CSA C22.2 No. 62368-1, CAN/CSA-C22.2 No. 60950-22, IEC/EN 62368-1, KC-Mark, UL 62368-1, UL 60950-22
Environment	UL2043 (Plenum rating), IEC 60068-2-1, IEC 60068-2-2, IEC 60068-2-6, IEC 60068-2-14, IEC 60068-2-27, IEC 60068-2-78, IEC/EN 60529 IP44
Cybersecurity	ETSI EN 303 645
Network protocols	IPv4/v6 ^a , HTTP, HTTPS, SSL/TLS, QoS Layer 3 DiffServ, FTP, SFTP, CIFS/SMB, SMTP, Bonjour, UPnP™, SNMP v1/v2c/v3 (MIB-II), DNS, DynDNS, NTP, RTSP, RTP, TCP, UDP, IGMPv1/v2/v3, RTCP, ICMP, DHCP, ARP, SOCKS, SSH, NTCIP, SIP

Cybersecurity

Edge security	Software: Signed OS, brute force delay protection, digest authentication and OAuth 2.0 RFC6749 OpenID Authorization Code Flow for centralized ADFS account management, password protection, AES-XTS-Plain64 256bit SD card encryption Hardware: Axis Edge Vault cybersecurity platform Secure element (CC EAL 6+), Axis device ID, secure keystore, secure boot
Network security	IEEE 802.1X (EAP-TLS, PEAP-MSCHAPv2), IEEE 802.1AR, HTTPS/HSTS, TLS 1.2/v1.3, Network Time Security (NTS), X.509 Certificate PKI, host-based firewall
Documentation	<i>AXIS OS Hardening Guide</i> <i>Axis Vulnerability Management Policy</i> <i>Axis Security Development Model</i> AXIS OS Software Bill of Material (SBOM) To download documents, go to axis.com/support/cybersecurity/resources To read more about Axis cybersecurity support, go to axis.com/cybersecurity

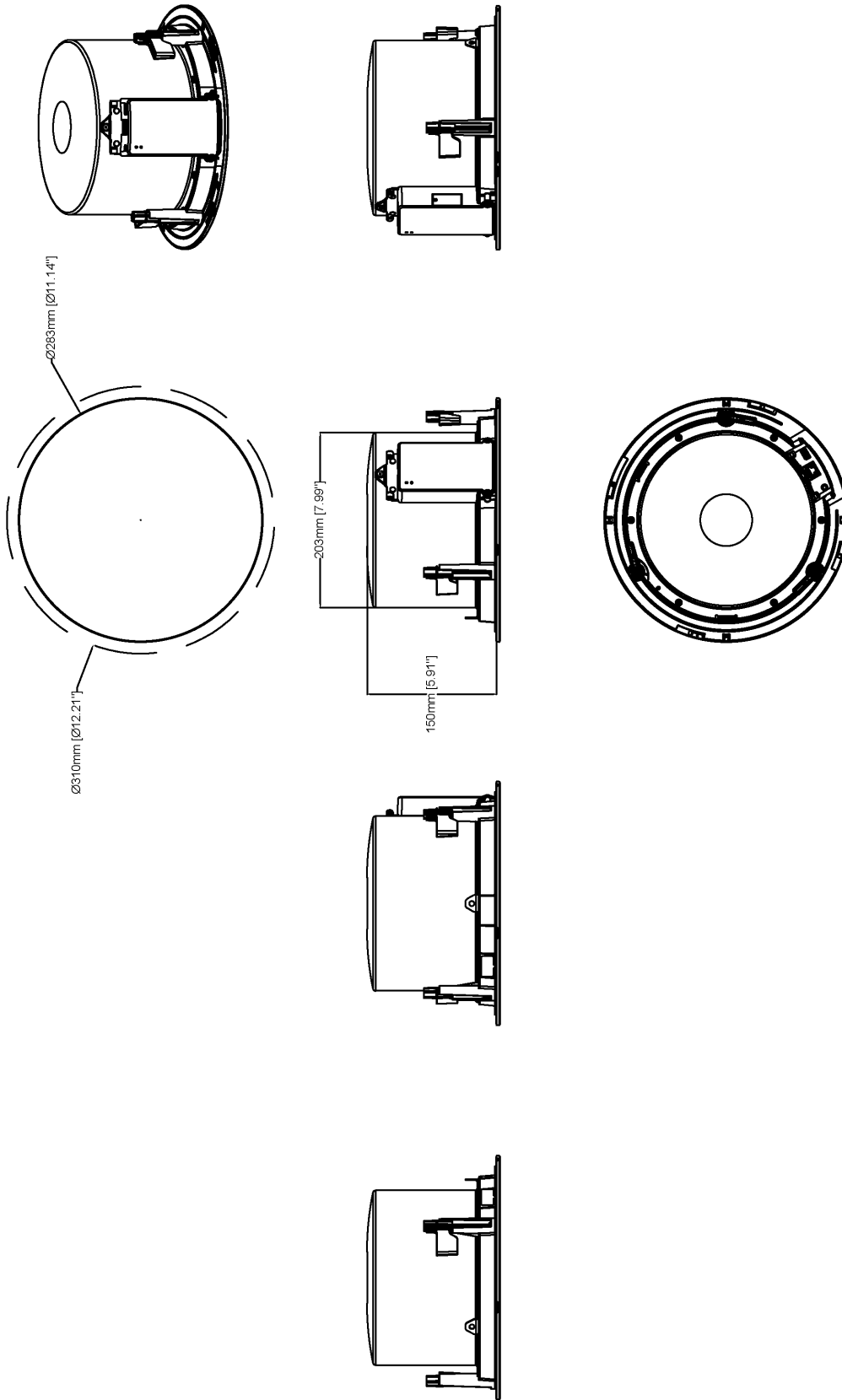
System on chip (SoC)

Model	NXP i.MX 6SoloX
Memory	512 MB RAM, 512 MB Flash
General Casing	IP44 (IP40 above ceiling) Baffle: plastic Top cover: plastic Mesh: surface-treated steel plate Mesh color: white NCS S 1002-B Repaintable. For repainting instructions and impact on warranty, contact your Axis partner. Speaker mounting method: plastic clamp
Power	Power over Ethernet (PoE), IEEE 802.3af Type 1 Class 3 (max 12.95 W)

Connectors	RJ45 10BASE-T/100BASE-TX PoE I/O: 4-pin 2.5 mm terminal block for 2x supervised configurable I/Os
LED indicators	Status LED, front-facing LED
Storage	Support for microSD/microSDHC/microSDXC card Max. size 1 TB For SD card recommendations see www.axis.com
Reliability	Designed for 24/7 operation.
Operating conditions	Temperature: -30 °C to 50 °C (-22 °F to 122 °F) Humidity: 10–100 % RH (condensing)
Storage conditions	Temperature: -40 °C to 65 °C (-40 °F to 149 °F) Humidity: 5–95 % RH (non-condensing)
Dimensions	Height: 150 mm (5.9 in), Front-mesh Ø 285 mm (11.2 in) Ceiling thickness: for mounting: 0–60 mm (0–2.4 in) Dimensions for fixing hole: Ø 261 mm ± 2 mm (10.3 in ± 0.08 in)
Weight	3100 g
Box content	Speaker, installation guide, Owner Authentication Key, mesh cover, block terminal
Optional accessories	AXIS TC1603 Tile Bridge (for installation in soft ceiling), AXIS TC1602 Conduit Adapter, AXIS TC1702 Back Cover, AXIS Safety Wire 3M For more accessories, see axis.com
Languages	English, German, French, Spanish, Italian, Russian, Simplified Chinese, Japanese, Korean, Portuguese, Polish, Traditional Chinese, Dutch, Czech, Swedish, Finnish, Turkish, Thai, Vietnamese

Warranty	5-year warranty, see axis.com/warranty
Part numbers	Available at axis.com/products/axis-c1210-e#part-numbers
Tools	
Design	AXIS Site Designer Available at axis.com
Installation	AXIS Device Manager, product selector, accessory selector Available at axis.com
Sustainability	
Substance control	PVC free in accordance with JEDEC/ECA Standard JS709 RoHS in accordance with EU RoHS Directive 2011/65/EU/ and EN 63000:2018 REACH in accordance with (EC) No 1907/2006. For SCIP UUID, see axis.com/partner .
Materials	Renewable carbon-based plastic content: 63% (recycled: 0%, bio-based: 63%, carbon capture based: 0%) Screened for conflict minerals in accordance with OECD guidelines To read more about sustainability at Axis, go to axis.com/about-axis/sustainability
Environmental responsibility	axis.com/environmental-responsibility Axis Communications is a signatory of the UN Global Compact, read more at unglobalcompact.org

a. *Audio synchronization with IPv4 only.*



AXIS C1210-E Network Ceiling Speaker

www.axis.com

Revision	v.01	Revision date	2022-09-21
Paper size	A4	Release date	2022-09-21
Created by	MS	Scale	1:6

© 2022 Axis Communications